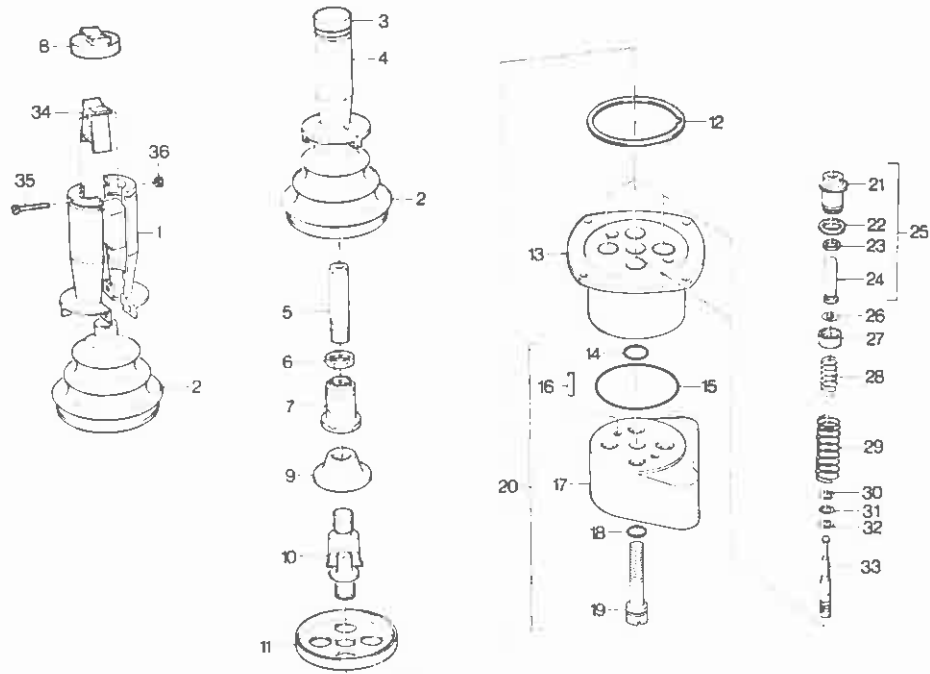
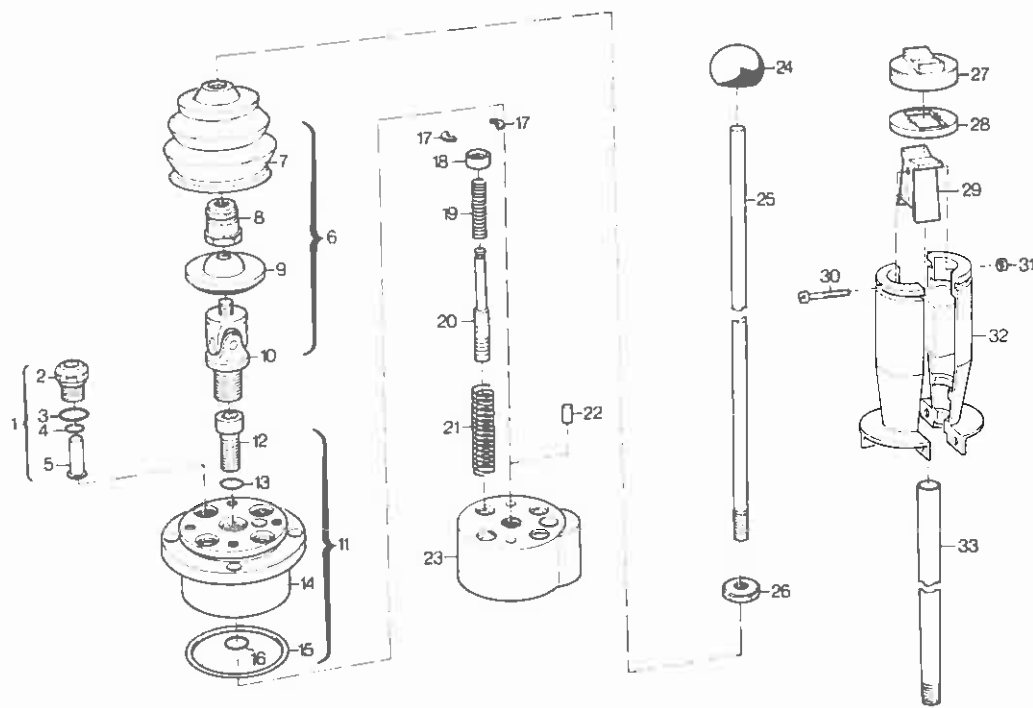


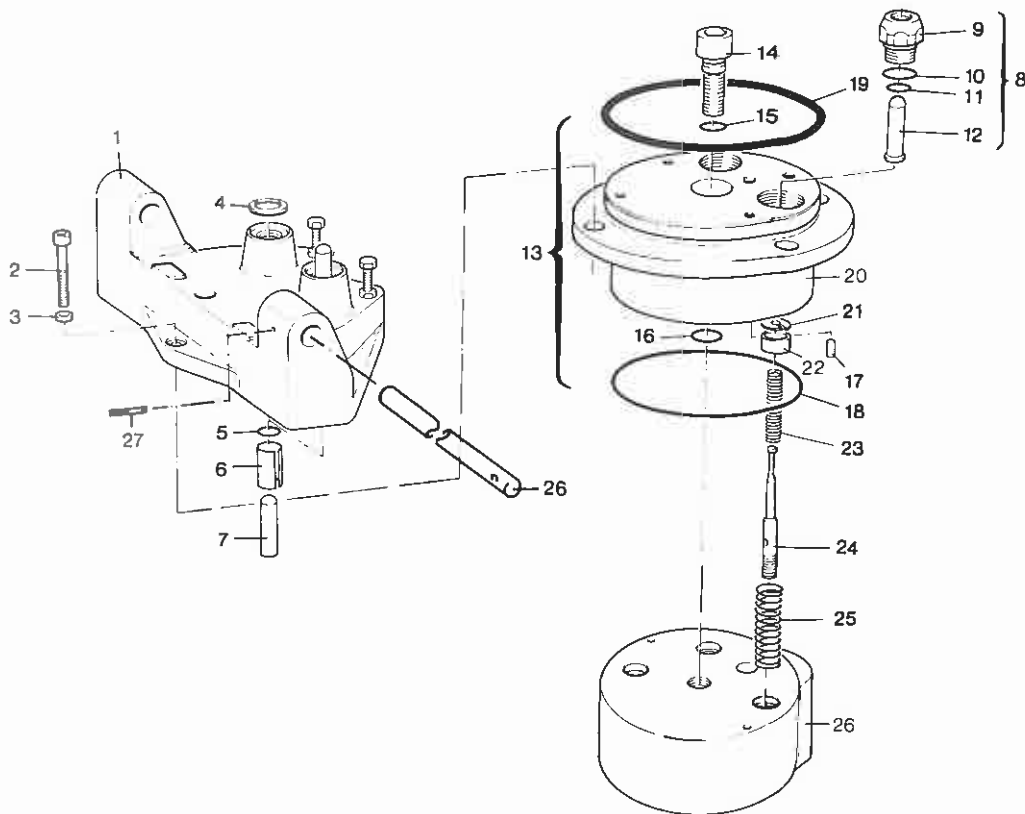
| POS NR   | CODE | ORDER-NO | STUCK QUANT | BENENNUNG                          | DESCRIPTION          | DESIGNATION                                  | BEMERKUNG/REMARK/REMARQUE         | 05.12.84           |  |
|--|------|----------|-------------|------------------------------------|----------------------|--|-----------------------------------|--------------------|--|
|  |      | 1349035  | 1           | STUEPVENTIL                        | CONTROL VALVE        | DISTRIBUTEUR                                 | POS.1-79                          |                    |  |
| 1  | D    | 1309639  | 1           | VERSCHLUSSSCHRAUBE                 | PLUG                 | BOUCHON                                      |                                   |                    |  |
| 2  | D    | 1312009  | 1           | FLACHDICHTUNG                      | FLAT PACKING         | JOINT PLAT                                   |                                   |                    |  |
| 3  | D    | 1364943  | 1           | VENTILSEKTION                      | VALVE SECTION        | SECTION DE SOUPAPE                           | POS.1-16,57,58                    |                    |  |
| 4  | D    | 1365024  | 1           | FLACHDICHTUNG                      | FLAT PACKING         | JOINT PLAT                                   |                                   |                    |  |
| 5  | D    | 1365035  | 1           | VERSCHLUSSSCHRAUBE                 | PLUG                 | BOUCHON                                      |                                   |                    |  |
| 6  | D    | 1307488  | 2           | SICHERHEITSVENTIL                  | SAFETY VALVE         | SOUPAPE DE SURETE                            | POS.7-16                          |                    |  |
| 14   | D    | 1518869  | 2           | DICHTSATZ                          | PACKING SET          | JEU D'ETOUPAGE                               | POS.7-9,11,12                     |                    |  |
| 16   | D    | 1307717  | 2           | DRUCKFEDER                         | COMPRESSION SPRING   | RESSORT A PRESSION                           |                                   |                    |  |
| 17   | D    | 1307706  | 2           | HUTHUTTER                          | CAP NUT              | ECROU CHATEAU                                |                                   |                    |  |
| 18   | D    | 1364954  | 1           | VENTILSEKTION                      | VALVE SECTION        | SECTION DE SOUPAPE                           | POS.17-30,47,57,58,65-69,74-77,79 |                    |  |
| 18   | D    | 1365046  | 2           | SICHERHEITSVENTIL                  | SAFETY VALVE         | SOUPAPE DE SURETE                            | POS.19-30                         |                    |  |
| 26   | D    | 1588761  | 1           | DICHTSATZ                          | PACKING SET          | JEU D'ETOUPAGE                               | POS.19-22;24                      |                    |  |
| 28   | D    | 0349419  | 2           | DRUCKFEDER                         | COMPRESSION SPRING   | RESSORT A PRESSION                           |                                   |                    |  |
| 29   | D    | 0450253  | 4           | DICHTUNG                           | PACKING              | JOINT  |                                   |                    |  |
| 30   | D    | 0382023  | 2           | KONTERMUTTER                       | COUNTER NUT          | CONTRE-ECROU                                 |                                   |                    |  |
| 31   | D    | 0382045  | 2           | ENDKAPPE                           | END CAP              | COIFFE FINALE                                |                                   |                    |  |
| 32   | D    | 1364976  | 4           | VENTILSEKTION                      | VALVE SECTION        | SECTION DE SOUPAPE                           | POS.47,48,57-59,65-69,74-77       |                    |  |
| 40   | D    | 1307502  | 2           | SICHERHEITSVENT                    | SAFETY VALVE         | SOUPAPE DE SURETE                            | POS.33-44                         |                    |  |
| 42   | D    | 1518870  | 2           | DICHTSATZ                          | PACKING SET          | JEU D'ETOUPAGE                               | POS.33-37                         |                    |  |
| 43   | D    | 1365273  | 2           | FEDER                              | SPRING               | RESSORT                                      |                                   |                    |  |
| 44   | D    | 0450253  | 4           | DICHTUNG                           | PACKING              | JOINT  |                                   |                    |  |
| 45   | D    | 0382023  | 2           | KONTERMUTTER                       | COUNTER NUT          | CONTRE-ECROU                                 |                                   |                    |  |
| 46   | D    | 0382045  | 2           | ENDKAPPE                           | END CAP              | COIFFE FINALE                                |                                   |                    |  |
| 47   | D    | 1364965  | 1           | VENTILSEKTION                      | VALVE SECTION        | SECTION DE SOUPAPE                           | POS.32,47,48,57,58,65-69,74-77    |                    |  |
| 48   | D    | 1364987  | 1           | VENTILSEKTION                      | VALVE SECTION        | SECTION DE SOUPAPE                           | POS.6,46-58                       |                    |  |
| 47   | D    | 1307513  | 36          | ZYLINDERSCHRAUBE                   | FILLESTER HEAD SCREW | VIS A TETE CYLINDRIQUE                       |                                   |                    |  |
| 48   | D    | 1365091  | 18          | KAPPE                              | CAP                  | CAPUCHON                                     |                                   |                    |  |
| 49   | D    | 1365148  | 1           | SCHRAUBE                           | BOLT                 | VIS  |                                   |                    |  |
| 51   | D    | 1365171  | 2           | FEDER                              | SPRING               | RESSORT                                      |                                   |                    |  |
| 59   | D    | 1365079  | 10          | SICHERHEITSVENTIL                  | SAFETY VALVE         | SOUPAPE DE SURETE                            | POS.33-39,41-44,60                |                    |  |
| 60   | D    | 1518870  | 10          | DICHTSATZ                          | PACKING SET          | JEU D'ETOUPAGE                               |                                   |                    |  |
| 61   | D    | 1307493  | 10          | DRUCKFEDER                         | COMPRESSION SPRING   | RESSORT A PRESSION                           |                                   |                    |  |
| 63   | D    | 1364998  | 1           | VENTILSEKTION                      | VALVE SECTION        | SECTION DE SOUPAPE                           | POS.47,48,57-59,65-69,74-77       |                    |  |
| 64   | D    | 1588750  | 1           | DICHTSATZ                          | PACKING SET          | JEU D'ETOUPAGE                               | POS.53,57,58,65,72,73,76          |                    |  |
| 68   | D    | 1365013  | 1           | VENTILSEKTION                      | VALVE SECTION        | SECTION DE SOUPAPE                           | POS.47,48,57-58,65-69,71-77       |                    |  |
| 64   | D    | 1307466  | 1           | VENTILSEKTION                      | VALVE SECTION        | SECTION DE SOUPAPE                           |                                   |                    |  |
| 68   | D    | 1340638  | 16          | FEDER                              | SPRING               | RESSORT                                      |                                   |                    |  |
| 75   | D    | 1365057  | 7           | FEDER                              | SPRING               | RESSORT                                      |                                   |                    |  |
| 78   | D    | 1307648  | 4           | ZUGANKER                           | TIE ROD              | TIRANT                                       |                                   |                    |  |
| ERSATZTEILGRUPPE<br>STEUERVENTIL<br>126.027.20 |      |          |             | SPARE PARTS GROUP<br>CONTROL VALVE |                      | GROUPE DE PIECES DE RECHANGE<br>DISTRIBUTEUR |                                   | TYPE<br>AB 1301E R | TAFEL/FIGURE/PLANCHE-NO<br>080.00.00.0126/01 |



| POS NR  | CODE | ORDER NO | STUCK QUANT | BENENNUNG                                | DESCRIPTION          | DESIGNATION  | BEMERKUNG/REMARK/REMARQUE | 05.12.84           |   |
|---|------|----------|-------------|--|----------------------|--|---------------------------|--------------------|---|
|   |      | 1358605  | 1           | VORSTEUERGER M H                         | SERVO CO UNIT W LEV  | SOUPAPE SERVOCOMM AV LEV                                 | POS.1,2,5-36              |                    |   |
|   |      | 1358616  | 1           | VORSTEUERGER M H                         | SERVO CO UNIT W LEV  | SOUPAPE SERVOCOMM AV LEV                                 | POS.2-7,9-33,35,36        |                    |   |
| 1   |      | 1366616  | 1           | HEBEL M SCHALTER                         | LEVER WITH SWITCH    | LEVIER AVEC INTERRUPTEUR                                 | POS.5;8;34-36             |                    |   |
| 2   |      | 1366558  | 1           | FALTENBALG                               | SIPHON               | SOUFFLET   |                           |                    |   |
| 3   |      | 1375888  | 1           | SCHUTZKAPPE                              | PROTECTING CAP       | COIFFE PROTECTRICE                                       |                           |                    |   |
| 4   |      | 1366605  | 1           | HEBEL                                    | LEVER                | LEVIER   | POS.3-5;35;36             |                    |   |
| 6   |      | 1366536  | 1           | SECHSKANTMUTTER                          | NUT                  | ECROU A SIX PANS   |                           |                    |   |
| 7   |      | 1366547  | 1           | MUTTER                                   | NUT                  | ECROU  |                           |                    |   |
| 8   |      | 1375899  | 1           | SCHUTZKAPPE                              | PROTECTING CAP       | COIFFE PROTECTRICE                                       |                           |                    |   |
| 9   |      | 1366569  | 1           | SCHALTTELLEP                             | CONTROL PLATE        | ASSIETTE DE COMMANDE                                     |                           |                    |   |
| 10  |      | 1366570  | 1           | KARDAN                                   | CARDAN JOINT         | JOINT DE CARDAN  |                           |                    |   |
| 11  |      | 1366581  | 1           | RUECKHALTEPLATTE                         | HOLD-BACK PLATE      | PLAQUE DE RETENUE  |                           |                    |   |
| 12  | D    | 1366525  | 1           | DICHTUNG                                 | PACKING              | JOINT  |                           |                    |   |
| 20  | D    | 1365808  | 1           | DICHTSATZ                                | PACKING SET          | JEU D'ETOUPEAGE  | POS.14-16;18;19           |                    |   |
| 25  | R    | 1366650  | 1           | REPARATURSATZ                            | REPAIRING SET        | JEU DE RAPARATION  | POS.21-24                 |                    |   |
| 26  |      | 0865403  | 1           | HALBSCHLEIBE                             | SHIM                 | DEMI-RONDELLE  |                           |                    |   |
| 27  |      | 1366627  | 1           | FEDERTELLER                              | SPRING PLATE         | DISQUE DE RESSORT  |                           |                    |   |
| 28  |      | 1366638  | 1           | DRUCKFEDER                               | COMPRESSION SPRING   | RESSORT A PRESSION                                       |                           |                    |   |
| 29  |      | 1366649  | 1           | RUECKHOLFEDER                            | RETURN SPRING        | RESSORT DE RAPPEL  |                           |                    |   |
| 30  |      | 0865801  | 1           | EINSTELLSCHLEIBE                         | ADJUSTING DISK       | RONDELLE DE REGLAGE                                      |                           |                    |   |
| 31  |      | 0865812  | 1           | EINSTELLSCHLEIBE                         | ADJUSTING DISK       | RONDELLE DE REGLAGE                                      |                           |                    |   |
| 32  |      | 0865823  | 1           | EINSTELLSCHLEIBE                         | ADJUSTING DISK       | RONDELLE DE REGLAGE                                      |                           |                    |   |
| 34  |      | 1375913  | 1           | WIPPE                                    | RIB                  | NERVURE  |                           |                    |   |
| 35  |      | 1378096  | 1           | ZYLINDERSCHRAUBE CD                      | FILLISTER HEAD SCREW | VIS A TETE CYLINDRIQUE                                   |                           |                    |   |
| 36  |      | 0313600  | 1           | SECHSKANTMUTTER                          | NUT                  | ECROU A SIX PANS   |                           |                    |   |
|   |      |          |             | AB FABR-NR.                              | FROM SERIAL NO.      | A PARTIR DU NO.DE FABR.                                  |                           |                    |   |
|   |      |          |             | 1122 26161                               | 1122 26161           | 1122 26161   |                           |                    |   |
|   |      |          |             | 1301 26136                               | 1301 26136           | 1301 26136   |                           |                    |   |
|   |      |          |             | 1302 26105                               | 1302 26105           | 1302 26105   |                           |                    |   |
|   |      |          |             | 1602 26160                               | 1602 26160           | 1602 26160   |                           |                    |   |
|   |      |          |             | 1622 3895                                | 1622 3895            | 1622 3895  |                           |                    |   |
|   |      |          |             | 1702 3880                                | 1702 3880            | 1702 3880  |                           |                    |   |
|   |      |          |             | 1802 3866                                | 1802 3866            | 1802 3866  |                           |                    |   |
|   |      |          |             | 1902 3837                                | 1902 3837            | 1902 3837  |                           |                    |   |
|   |      |          |             | 2202 3838                                | 2202 3838            | 2202 3838  |                           |                    |   |
| ERSATZTEILGRUPPE<br>VORSTEUERGER M H<br>126-027.70/RO |      |          |             | SPARE PARTS GROUP<br>SERVO CO UNIT W LEV |                      | GROUPE DE PIECES DE RECHANGE<br>SOUPAPE SERVOCOMM AV LEV |                           | TYPE<br>AB 1301E R | TAFEL/FIGURE-PLANCHE NO.<br>080.06.01.0126/01 |



| POS NR   | CODE | ORDER-NO                                  | STUCK QUANT. | BENENNUNG   | DESCRIPTION          | DESIGNATION               | BEMERKUNG/REMARK/REMARQUE | 05.12.84                                      |  |
|--|------|---|--------------|---|----------------------|---------------------------|---------------------------|---|--|
|  |      | 137182B                                   | 1            | VORSTEUERGER O M  | SERVO CONT UN WO LEV | SOUP COMM PILOTE SA LEV   | POS.1-23                  |   |  |
| 1  | P    | 0865254                                   | 4            | REPARATURSATZ   | REPAIRING SET        | JEU DE REPARATION         | POS.2-5                   |   |  |
| 6  | R    | 1529920                                   | 1            | REPARATURSATZ   | REPAIRING SET        | JEU DE REPARATION         | POS.7-10                  |   |  |
| 7  |      | 0408751                                   | 1            | FALTENBLEI  | SUI-HON              | SOUFFLET                  |                           |   |  |
| 8  |      | 0865447                                   | 1            | ANSCHLAGMUTTER  | STOP NUT             | ECROU D'ARRET             |                           |   |  |
| 9  |      | 0865458                                   | 1            | SCHALTTELLER  | CONTROL PLATE        | ASSIETTE DE COMMANDE      |                           |   |  |
| 10   |      | 0892804                                   | 1            | KARDANGELENK  | UNIVERSAL JOINT      | JOINT UNIVERSEL DE CARDAN |                           |   |  |
| 11   | D    | 0863821                                   | 1            | DICHTSATZ   | PACKING SET          | JEU D'ETOUPAGE            | POS.12,13,15,16,22        |   |  |
| 17   |      | 0865403                                   | 8            | HALBSCHLEIBE  | SHIM                 | DEMI-RONDELLE             |                           |   |  |
| 18   |      | 0865414                                   | 4            | FEDERANSCHLAG   | SPRING STOP          | ARRET DE RESSORT          |                           |   |  |
| 19   |      | 0892815                                   | 4            | DRUCKFEDER  | COMPRESSION SPRING   | RESSORT A PRESSION        |                           |   |  |
| 21   |      | 1308889                                   | 4            | DRUCKFEDER  | COMPRESSION SPRING   | RESSORT A PRESSION        |                           |   |  |
| 24   |      | 0369504                                   | 1            | KUGELKNOPF  | KNOB                 | POIGNEE A BILLE           |                           |   |  |
| 25   |      | 1206066                                   | 1            | SCHALTHEDEL   | CONTROL LEVER        | LEVIER DE COMMANDE        | POS.24;26                 |   |  |
| 26   |      | 0322485                                   | 1            | SECHSKANTMUTTER   | NUT                  | ECROU A SIX PANS          |                           |   |  |
| 27   |      | 1375899                                   | 1            | SCHUTZKAPPE   | PROTECTING CAP       | COIFFE PROTECTRICE        |                           |   |  |
| 28   |      | 1375902                                   | 1            | RASTE   | NOTCH                | CRAN D'ARRET              |                           |   |  |
| 29   |      | 1375913                                   | 1            | WIPPE   | RIB                  | NERVURE                   |                           |   |  |
| 30   |      | 1378096                                   | 1            | ZYLINDERSCHRAUBE CD                                     | FILLISTER HEAD SCREW | VIS A TETE CYLINDRIQUE    |                           |   |  |
| 31   |      | 0313600                                   | 1            | SECHSKANTMUTTER   | NUT                  | ECROU A SIX PANS          |                           |   |  |
| 32   |      | 1360938                                   | 1            | HANDGRIFF   | HANDLE               | POIGNEE                   | POS.27-32                 |   |  |
| 33   |      | 1118105                                   | 1            | SCHALTHEBEL   | CONTROL LEVER        | LEVIER DE COMMANDE        |                           |   |  |
|  |      |   |              | AB FABR.NR.   | FROM SERIAL NO.      | A PARTIR DU NO-DE FABR.   |                           |   |  |
|  |      |   |              | 1122 26161  | 1122 26161           | 1122 26161                |                           |   |  |
|  |      |   |              | 1301 26136  | 1301 26136           | 1301 26136                |                           |   |  |
|  |      |   |              | 1302 26105  | 1302 26105           | 1302 26105                |                           |   |  |
|  |      |   |              | 1602 26160  | 1602 26160           | 1602 26160                |                           |   |  |
|  |      |   |              | 1622 3895   | 1622 3895            | 1622 3895                 |                           |   |  |
|  |      |   |              | 1702 3880   | 1702 3880            | 1702 3880                 |                           |   |  |
|  |      |   |              | 1802 3866   | 1802 3866            | 1802 3866                 |                           |   |  |
|  |      |   |              | 1902 3837   | 1902 3837            | 1902 3837                 |                           |   |  |
|  |      |   |              | 2202 3838   | 2202 3838            | 2202 3838                 |                           |   |  |
| ERSATZTEILGRUPPE<br>VORSTEUERGER O M<br>265.027.61 |      | SPARE PARTS GROUP<br>SERVO CONT UN WO LEV |              | GROUPE DE PIECES DE RECHANGE<br>SOUP COMM PILOTE SA LEV |                      | TYPE<br>AB 1301F R        |                           | TAFEL/FIGURE/PLANCHE NO.<br>080.07.01.0265/01 |  |



| POS NR. | CODE | ORDER NO | STUCK QUANT | BENENNUNG        | DESCRIPTION          | DESIGNATION           | BEMERKUNG/REMARK/REMARQUE | 05.12.84 |  |
|---------|------|----------|-------------|------------------|----------------------|-----------------------|---------------------------|----------|--|
| 2       |      | 0806128  | 1           | VORSTEUERGER O H | SERVO CONTR UN VO LE | SOUP PECOMP SA LEVIER | POS.1-28                  |          |  |
| 3       | V    | 0328232  | 4           | ISKA SCHRAUBE    | ALLEN SCREW          | VIS A TROU SIX PANS   |                           |          |  |
| 4       | D    | 1302507  | 2           | FEDERRING        | SPRING WASHER        | RONDELLE A RESSORT    |                           |          |  |
| 5       |      | 0424400  | 2           | DICHTUNG         | PACKING              | JOINT                 |                           |          |  |
| 6       |      | 1302518  | 2           | PROFILRING       | PROFILE RING         | ANNEAU PROFILE        |                           |          |  |
| 7       |      | 1302529  | 2           | SPANNHUELSE      | ADAPTOR SLEEVE       | DOUILLE DE SERRAGE    |                           |          |  |
| 8       | R    | 0865254  | 2           | STOESSEL         | PESTLF               | POUSSOIR              | POS.9-12                  |          |  |
|         |      |          | 2           | REPARATURSATZ    | REPAIRING SET        | JEU DE REPARATION     |                           |          |  |
| 13      | D    | 0863821  | 1           | DICHTSATZ        | PACKING SET          | JEU D'ETOUPAGE        | POS.14-18                 |          |  |
| 19      | D    | 1302530  | 1           | RUNDSCHNURRING   | O-RING               | JOINT ANNULAIRE       |                           |          |  |
| 21      |      | 0865403  | 4           | HALBSCHNURRING   | SHIM                 | DEMI-RONDELLE         |                           |          |  |
| 22      |      | 0865414  | 2           | FEDERANSCHLAG    | SPRING STOP          | ARRET DE RESSORT      |                           |          |  |
| 23      |      | 0865429  | 2           | DRUCKFEDER       | COMPRESSION SPRING   | RESSORT A PRESSION    |                           |          |  |
| 25      |      | 0408671  | 2           | RUECKSTELLFEDER  | READJUSTING SPRING   | RESSORT DE RAPPEL     |                           |          |  |
| 26      |      | 1302563  | 1           | STIFT            | STUD                 | CHEVILLE              |                           |          |  |
| 27      |      | 0304245  | 1           | SPANNHUELSE      | ADAPTOR SLEEVE       | DOUILLE DE SERRAGE    |                           |          |  |